

bodine



Emergency Driver

Cold-Pak

LED driver



Project:	
Location:	
Cat.No:	
Type:	
Lamps:	Qty:
Notes:	

Emergency LED Driver, Class 2 Classified for Field Installation Extreme Cold Environments 6 Watts Minimum Initial Output Power

Product order numbers: BSL36Cold (w/2-wire ITS)
BSL36ColdITS67 (w/IP67 rated ITS)

Specifications

UL Listed for US and Canada

For Field or Factory Installation
(Indoor and Damp)

Illumination Time

90 Minutes

Full Warranty

5 Years (NOT pro-rata)

Dual Input Voltage

120 or 277 VAC, 60 Hz

AC Input Current

120 mA maximum with internal heater on
50 mA maximum when internal heater off

AC Input Power Rating

13 W maximum with internal heater on
4 W maximum when internal heater off

Output Voltage

15-52 VDC

Output Power

6.0 W minimum initial (regulated)
NFPA 101 and NEC 700.12 compliant

Test Switch/Charging Indicator Light

Two-Wire Illuminated Test Switch (2W-ITS)

Battery

High-Temperature, Maintenance-Free
Nickel-Cadmium Battery
7- to 10-Year Life Expectancy

Battery Charging Current

280 mA average

Recharge Time

24 Hours

Temperature Rating (Ambient)

-20°C to +55°C (-4°F to +131°F)

Dimensions

9.4" x 2.6" x 1.5"
(238 mm x 67 mm x 38 mm)
Mounting Center 8.9" (226 mm)

Weight

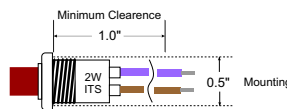
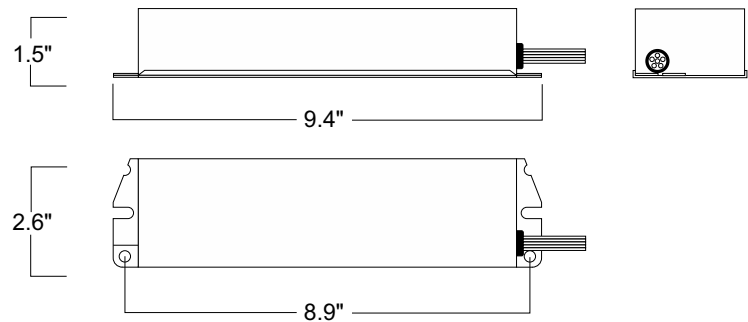
2.1 lbs. (.95Kg) - metal w/o conduit

Benefits:

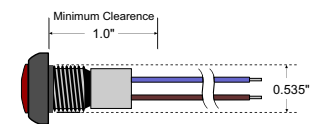
- Listed for field or factory installation - UL 924 Emergency Lighting Compliant
- Operates in extreme cold environments (-20°C to 55°C)
- Class 2 output (UL 1310 Certified)
- Emergency mode minimum initial lumen output of 700 lumens based on 116 lm/W min efficacy
- Compatible with AC drivers and LED loads rated for Class 2
- The output power is automatically adjusted for LED load configurations within the voltage range of 15-52V
- RoHS Compliant

Dimensions

9.4" x 2.6" x 1.5" (mounting center - 8.9")



BSL36Cold ships with a 2-wire illuminated test switch/charging indicator light.



BSL36ColdITS67 ships with an IP67 rated illuminated test switch/charging indicator light.



Application

The BSL36 Cold-Pak emergency LED driver works in conjunction with an AC LED driver that has an output current not to exceed 2.5A. The emergency driver consists of a high-temperature nickel-cadmium battery, charger, and electronic circuitry contained in one metal enclosure. The BSL36 Cold-Pak can be used with an LED lighting load configuration resulting in an output voltage in the 15–52V range, delivering an initial minimum power of 6.0 Watts (measured at nominal battery voltage and an ambient temperature of 25°C) for 90 minutes. If used in an emergency-only fixture, no AC driver is necessary. The BSL36 Cold-Pak is suitable for indoor and damp locations and for sealed and gasketed fixtures, including fixtures rated for wet locations. For more information about specific LED and AC driver compatibility, please contact Technical Support.

Operation

When AC power fails, the BSL36 Cold-Pak immediately switches to the emergency mode, operating the LEDs at a reduced lumen output for a minimum of 90 minutes. When AC power is restored, the emergency driver automatically returns to the charging mode. AC LED driver operation is delayed for up to 0.5 seconds to prevent over current of LEDs that would occur if both drivers supply the load at the same time.

Installation

The BSL36 Cold-Pak does not affect normal fixture operation and may be used with either a switched or unswitched fixture. If a switched fixture is used, an unswitched hot lead must be connected to the emergency driver. The emergency driver must be fed from the same branch circuit as the AC driver.

Code Compliance

The BSL36 Cold-Pak has been tested by Underwriters Laboratories in accordance with the standards set forth in UL 924, "Emergency Lighting and Power Equipment," and by the Canadian Standards Association (CSA) in accordance with the standards set forth in C22.2 No. 141, "Emergency Lighting Equipment", UL 8750, "Light Emitting Diode (LED) Equipment for use in Lighting Products", including UL 1310 "Class 2 Power Units", and CSA 22.2 No 223-M91, "Power Supply with Extra-Low-Voltage Class 2 outputs". The BSL36 Cold Pak is UL Listed for factory or field installation. Emergency illumination time exceeds the National Electrical Code (NEC), Life Safety Code (NFPA-LSC), National Building Code of Canada (NBC), National Fire Code of Canada (NFC), and UL 90-minute requirements.

Emergency Illumination

The BSL36 Cold-Pak operates an LED load, delivering an initial minimum power of 6.0 W of power at nominal battery voltage and ambient temperature of 25°C for a minimum of 90 minutes.

Specification

Emergency lighting shall be provided by using an LED fixture equipped with a Bodine BSL36 Cold-Pak emergency driver. The BSL36 Cold-Pak shall have temperature-control circuitry to fulfill both low-temperature and high-temperature operation. AC LED driver operation is delayed for up to 0.5 seconds to prevent over current of LEDs that would occur if both drivers supply the load at the same time. This emergency driver shall consist of a high-temperature, maintenance-free nickel-cadmium battery, battery heater, and electronic circuitry contained in one metal enclosure. A 2-wire

illuminated test switch (2W-ITS), which combines a solid-state charging indicator light with a single pole test switch that provides a test function, shall be supplied with installation hardware. The emergency driver shall be capable of operating an LED load and of delivering an initial minimum output power of 6.0W at 25°C ambient temperature, following a battery charging period of at least 24 hours. The emergency driver shall be capable of operating the LED load and of delivering an output power exceeding 3.6 Watts at 25°C ambient temperature throughout the of 90 minutes of emergency operation. The BSL36 Cold-Pak is suitable for indoor and damp locations and for sealed and gasketed fixtures, including fixtures rated for wet locations. The BSL36 Cold-Pak shall have a maximum of 13 Watts of input power when the heater is on and a 16.2 Watt-hour battery capacity and shall comply with emergency standards set forth by the current NEC. The emergency driver shall be UL Listed for field or factory installation.

Warranty

Model BSL36 Cold-Pak is warranted for five (5) full years from date of purchase. Please see detailed warranty information on our web site.

